

BASCO

INDUSTRIAL

ANCHORS



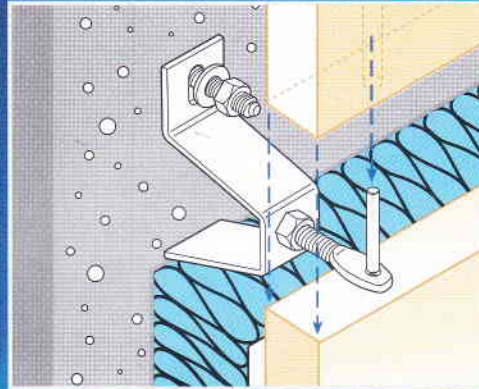
**Stones
Mechanical
Fixations**

ANCHORS STONES MECHANICAL FIXATIONS

OMEGA STANDARD TYPES



Specifications
 Thickness : 3 & 4 mm
 Width : 30 & 40 mm
 Pin size : $\varnothing 5 \times 50$ mm
 Material : Stainless Steel 304 & Galvanized Steel



OMEGA TYPES

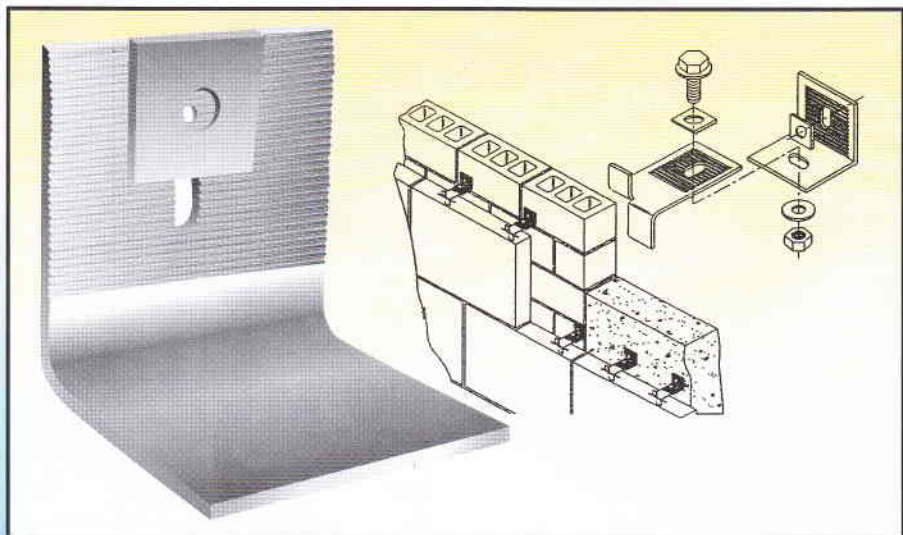
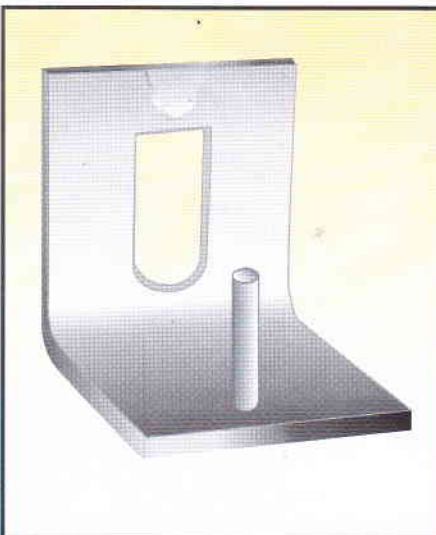
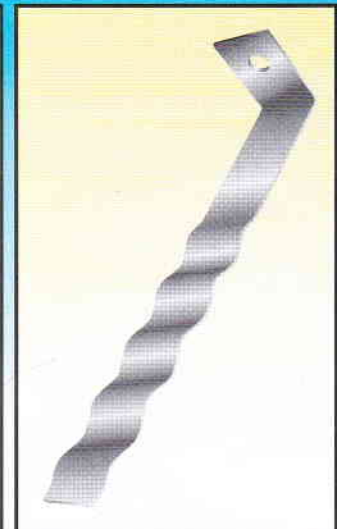
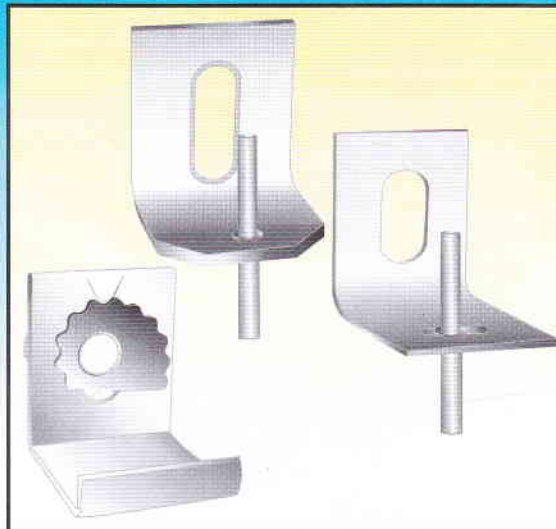
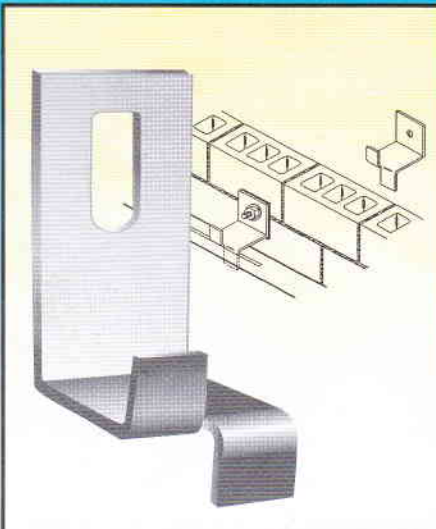
Type	HEIGHT (mm)	FLAT HEAD BOLT	CAVITY RANGE (mm)	AVERAGE LOAD kgm/anchor
O-3320	20	M10X60	35-45	60
O-3330	30	M10X60	45-55	58
O-3340	40	M10X60	55-65	55
O-3350	50	M10X60	65-75	53
O-3360	60	M10X60	75-85	25

OMEGA SPECIAL TYPES



Specifications
 Thickness : 3 & 4 mm
 Width : 30 & 40 mm
 Pin size : $\varnothing 5 \times 50$ mm
 Material : Stainless Steel 304 & Galvanized Steel

SPECIAL ANCHORS



- ANY OTHER SIZES ARE MANUFACTURED UPON REQUEST
- CONCRETE FIXING DEVICES ARE NOT SUPPLIES WITH ANCHORS
- STAINLESS STEEL 304 IS RECOMMENDED FOR MAXIMUM CORROSION PROTECTION